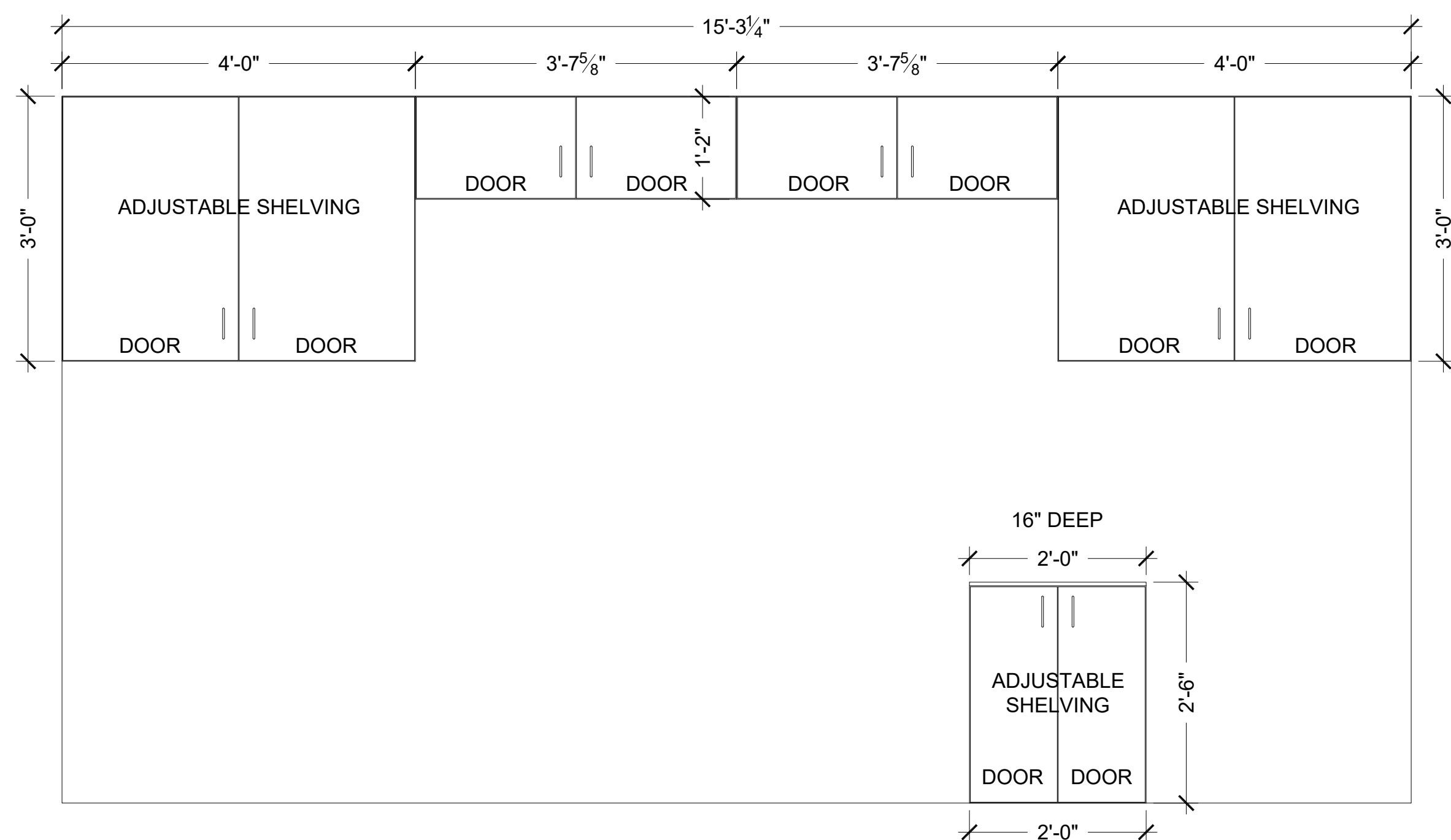
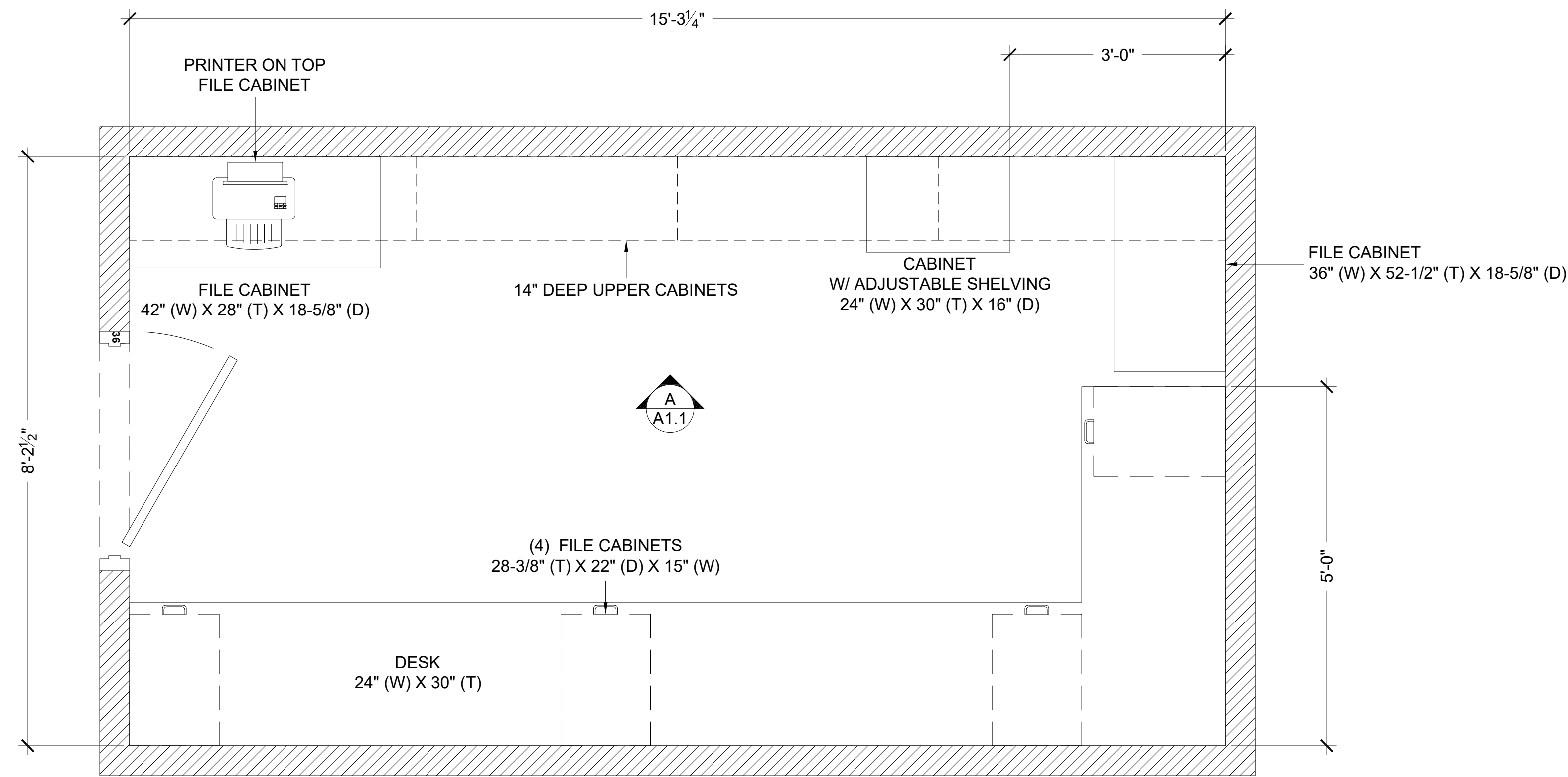


REVISION HISTORY				
REV	DESCRIPTION	DATE	BY	CHECKED
A	ISSUED FOR REVIEW	1/5/2026	MJG	ACK



A  
A1.1 CABINET ELEVATION (SOME ITEMS NOT SHOWN IN THIS VIEW FOR CLARITY)

3/4" = 1'-0"

**RP# 104 SHELL PERDIDO  
OFFICE UPGRADES  
TOOL PUSHER OFFICE**

**SCALE LISTED IS VALID  
ONLY FOR "D" SIZE PAPER  
(36" X 24")**

THE INFORMATION CONTAINED HEREIN IS PROPRIETARY TO REDGUARD, LLC AND SHALL NOT BE REPRODUCED OR DISCLOSED IN WHOLE OR IN PART OR USED FOR ANY PURPOSE EXCEPT WHEN SUCH USER POSSESSES DIRECT WRITTEN AUTHORIZATION FROM REDGUARD, LLC

EXPORT CONTROLLED DATA: THIS DOCUMENT MAY CONTAIN TECHNICAL INFORMATION WHOSE EXPORT IS GOVERNED BY THE UNITED STATES DEPARTMENTS OF COMMERCE AND STATE. IT IS THE RESPONSIBILITY OF THE RECIPIENT(S) OF THIS DRAWING TO ENSURE THAT ITS CONTENTS ARE CONTROLLED AS SUCH TO REMAIN IN COMPLETE COMPLIANCE WITH THE U.S. ARMS EXPORT CONTROL ACT, THE INTERNATIONAL TRAFFIC IN ARMS REGULATIONS, AND THE EXPORT ADMINISTRATION ACT.



4817 S LEWIS ST.  
NEW IBERIA, LA 70560  
PH: 504.588.2551  
[www.armoda.com](http://www.armoda.com)

SHELL PERDIDO

OFFICE UPGRADES

RP#: 104

PROJECT MANAGER: DP

DRAWN BY: MJG

DATE: 1/5/2026

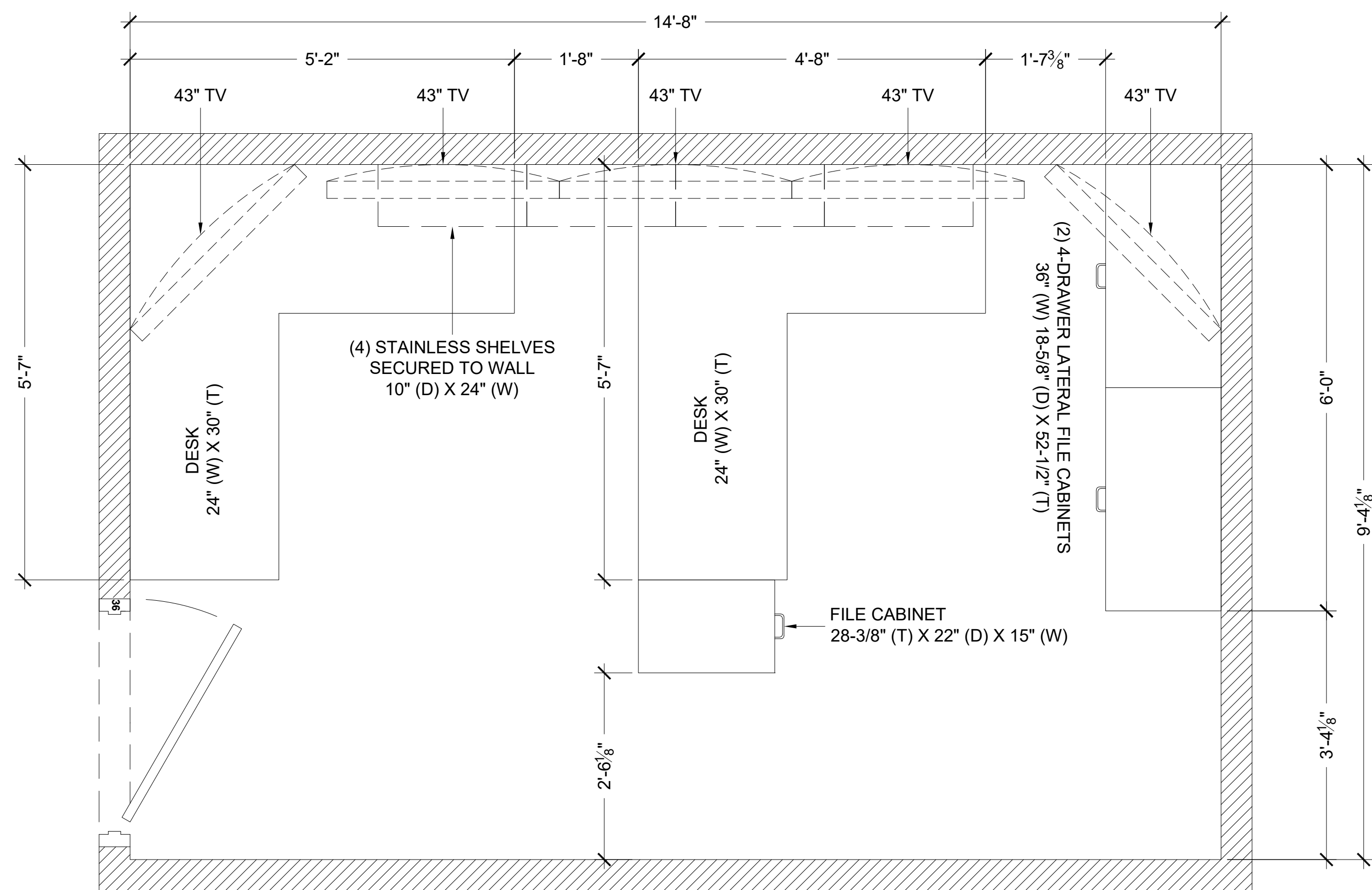
FILE: RP 104

SCALE: 3/4" = 1'-0"

REVISION: A

SHEET: A1.1

REVISION HISTORY				
REV	DESCRIPTION	DATE	BY	CHECKED
A	ISSUED FOR REVIEW	1/5/2026	MJG	ACK



THE INFORMATION CONTAINED HEREIN IS PROPRIETARY TO REDGUARD, LLC AND SHALL NOT BE REPRODUCED OR DISCLOSED IN WHOLE OR IN PART OR USED FOR ANY PURPOSE EXCEPT WHEN SUCH USER POSSESSES DIRECT WRITTEN AUTHORIZATION FROM REDGUARD, LLC

EXPORT CONTROLLED DATA: THIS DOCUMENT MAY CONTAIN TECHNICAL INFORMATION WHOSE EXPORT IS GOVERNED BY THE UNITED STATES DEPARTMENTS OF COMMERCE AND STATE. IT IS THE RESPONSIBILITY OF THE RECIPIENT(S) OF THIS DRAWING TO ENSURE THAT ITS CONTENTS ARE CONTROLLED AS SUCH TO REMAIN IN COMPLETE COMPLIANCE WITH THE U.S. ARMS EXPORT CONTROL ACT, THE INTERNATIONAL TRAFFIC IN ARMS REGULATIONS, AND THE EXPORT ADMINISTRATION ACT.



4817 S LEWIS ST.  
 NEW IBERIA, LA 70560  
 PH: 504.588.2551  
[www.armoda.com](http://www.armoda.com)

SHELL PERDIDO

OFFICE UPGRADES

RP#: 104

PROJECT MANAGER: DP

DRAWN BY: MJG

DATE: 1/5/2026

FILE: RP 104

SCALE: 3/4" = 1'-0"

REVISION: A

SHEET: A1.2

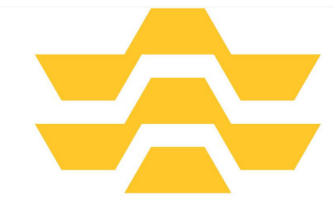
**RP# 104 SHELL PERDIDO  
 OFFICE UPGRADES  
 ROOM 418**

**SCALE LISTED IS VALID  
 ONLY FOR "D" SIZE PAPER  
 (36" X 24")**

REVISION HISTORY				
REV	DESCRIPTION	DATE	BY	CHECKED
A	ISSUED FOR REVIEW	1/5/2026	MJG	ACK

THE INFORMATION CONTAINED HEREIN IS PROPRIETARY TO REDGUARD, LLC AND SHALL NOT BE REPRODUCED OR DISCLOSED IN WHOLE OR IN PART OR USED FOR ANY PURPOSE EXCEPT WHEN SUCH USER POSSESSES DIRECT WRITTEN AUTHORIZATION FROM REDGUARD, LLC

EXPORT CONTROLLED DATA: THIS DOCUMENT MAY CONTAIN TECHNICAL INFORMATION WHOSE EXPORT IS GOVERNED BY THE UNITED STATES DEPARTMENTS OF COMMERCE AND STATE. IT IS THE RESPONSIBILITY OF THE RECIPIENT(S) OF THIS DRAWING TO ENSURE THAT ITS CONTENTS ARE CONTROLLED AS SUCH TO REMAIN IN COMPLETE COMPLIANCE WITH THE U.S. ARMS EXPORT CONTROL ACT, THE INTERNATIONAL TRAFFIC IN ARMS REGULATIONS, AND THE EXPORT ADMINISTRATION ACT.



**ARMODA**

4817 S LEWIS ST.  
 NEW IBERIA, LA 70560  
 PH: 504.588.2551  
[www.armoda.com](http://www.armoda.com)

SHELL PERDIDO

OFFICE UPGRADES

RP#: 104

PROJECT MANAGER: DP

DRAWN BY: MJG

DATE: 1/5/2026

FILE: RP 104

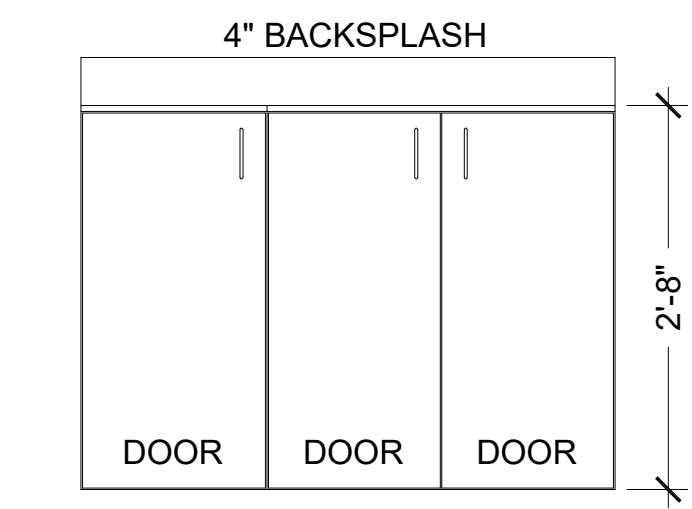
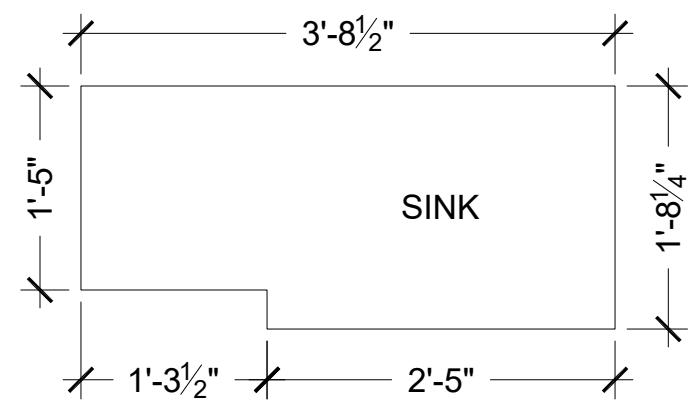
SCALE: 3/4" = 1'-0"

REVISION: A

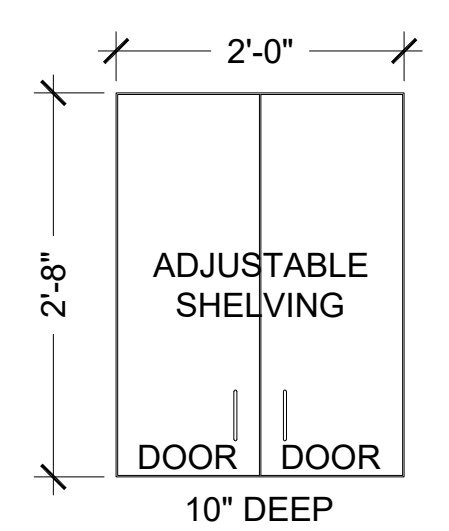
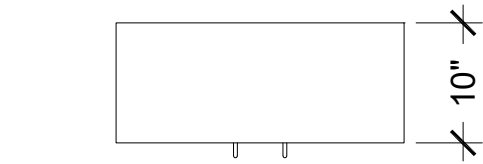
SHEET: A1.3

**RP# 104 SHELL PERDIDO  
 OFFICE UPGRADES  
 ICE MACHINE & VANITY CABINETS**

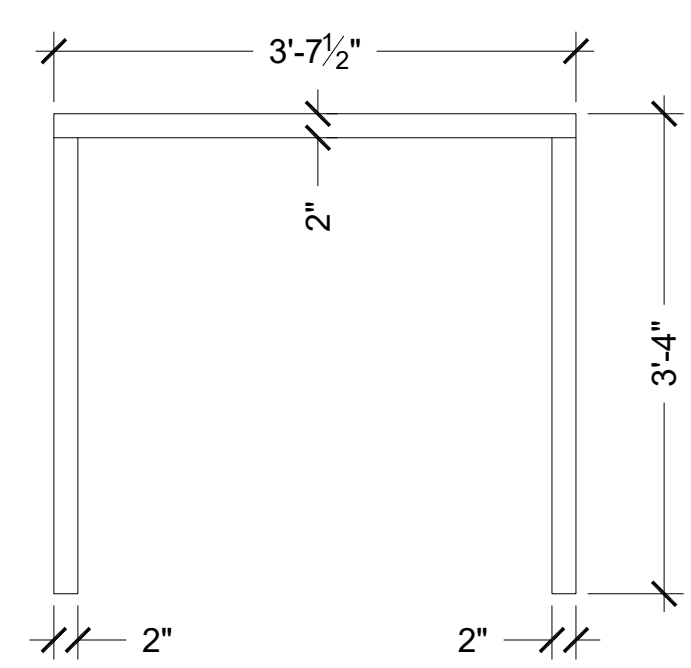
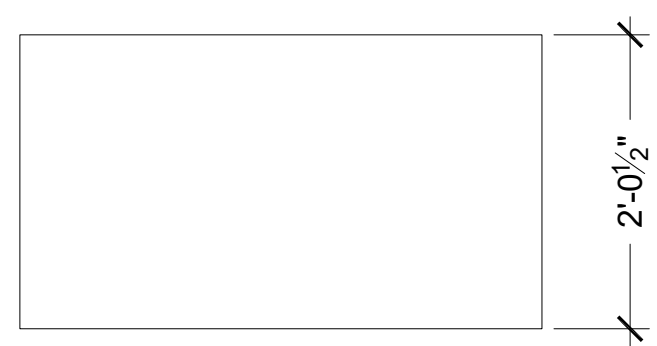
**SCALE LISTED IS VALID  
 ONLY FOR "D" SIZE PAPER  
 (36" X 24")**



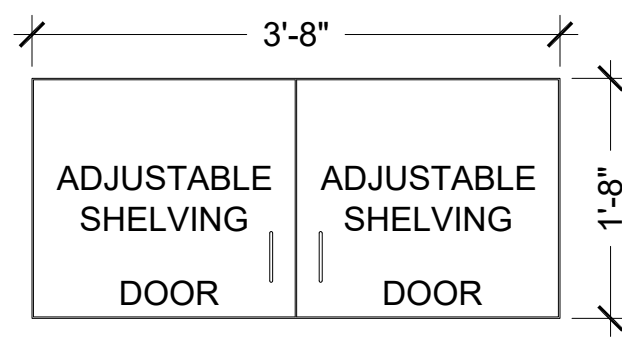
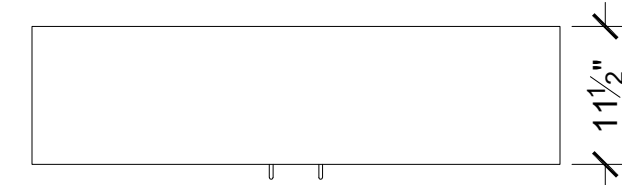
**VANITY CABINET**



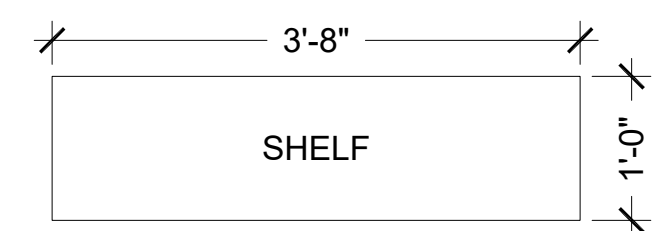
**ABOVE TOILET CABINET**



**ICE MACHINE**



**CABINET**



**GUSSETS UNDERNEATH SHELF**

**SHELF**